



# STEAM IRON

## MOD. U

# GHIDINI

### *User and Maintenance Manual*

These operating and maintenance instructions refer to the steam iron mod. "U".  
It is possible to obtain the last version of the present instructions requiring it to the Sale and Technical Department or visiting our web site web [www.ghidini-gb.it](http://www.ghidini-gb.it).

#### **Operating instructions**

- The unit must be installed, opened and repaired by fully qualified technicians only..
- Do not use the machine plunged in fluids, in dangerous or inflammable places.
- Do not ignore the dangers for the operators health and follow the hygienic and safety prescriptions.
- Check that the electrical connection is correctly carried out respecting the laws in force and that the fuses boxes are closed and complete with fuses.
- The electrical plug of the iron must only be connected to the appropriate current sockets of the ironing machines. It must never be connected to any other power supply socket. The rear junction box and the electric cord must never be tampered.
- Check that control and safety devices are intact.

#### **Use**

- Connect the iron to a steam supply using a rubber hose with an internal  $\varnothing$  of 5 mm
- Connect the terminal board as in the included scheme and feed the iron.
- Adjust the temperature of the iron with the appropriate handwheel.
- Wait for the plate of the iron reaches the right temperature and adjust the button placed on one side of the handle to operate the steam solenoid valve.
- Do not leave the iron switched on and in temperature when it is not used.

**The dangers described in the following items have not been completely eliminated, but they have been considered acceptable:**

- During the maintenance operation there could be a spray of steam at low pressure (maintenance operation must be carried out using suitable protection devices)
- Protection against direct and indirect contacts must be adopted by the user.

#### **Main electrical supply**

Prior to carrying out any inspection or work on the machine, disconnect it from the main electrical supply and make sure that nobody can connect it again during the technical operations. All the electrical or electronic machines or basic structures installed must be connected to the earthing system.

#### **Inflammability**


Adopt all the necessary precautions to avoid any direct contact with hot materials or flames. Put fire extinguishers near the machine for an immediate intervention in event of fire.

#### **Pressure / Steam**

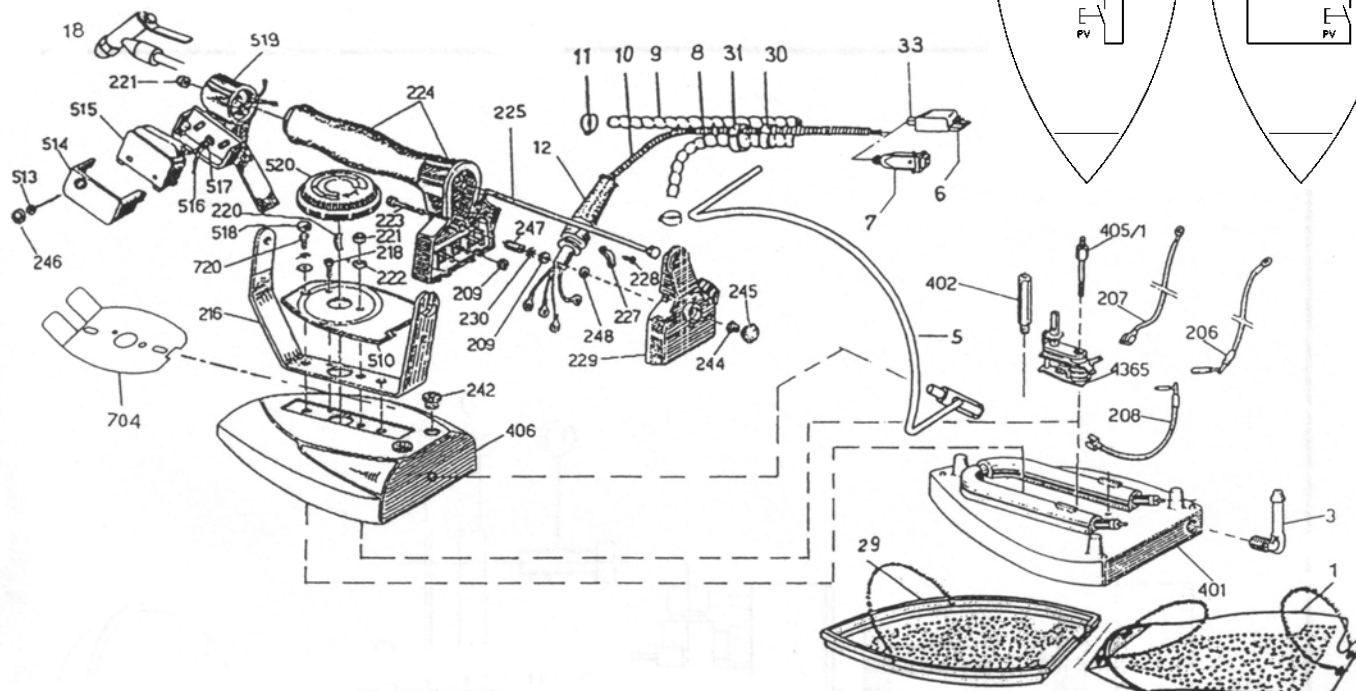
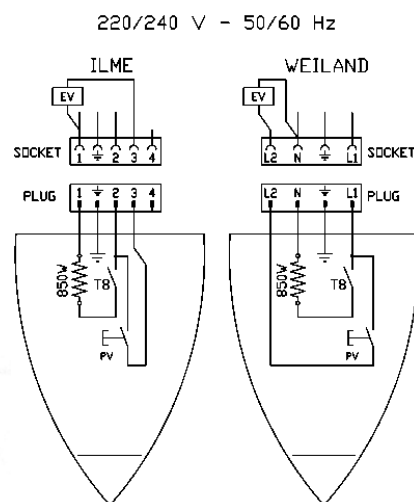
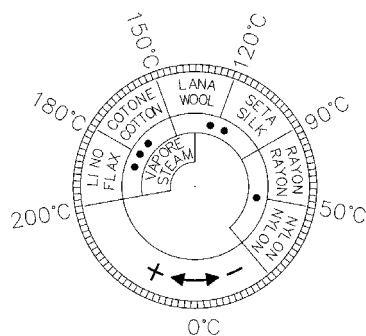
Before each intervention switch off the boiler, wait for the cooling of the pipes and check that residual pressures are not inside the iron or in every single branch of the hydraulic circuit. They could cause steam sprays in case of dissembling of pipes or components.

Ghidini s.r.l. cannot be held liable for any damage to things or injury to persons caused by an improper use of the machine in contrast with these instructions.

Any eventual modification to the components or different use of the machine must be previously authorized through a written document by Ghidini s.r.l. otherwise the manufacturer can be considered free even from the guarantee bond.

<i>Manufacturer</i>	GHIDINI BENVENUTO s.r.l.
<i>Product</i>	Steam iron mod. U
<i>Year</i>	2004
<i>Certification</i>	

TECHNICAL DATA	
Electrical feeding	220V 50 Hz
Iron heater	0,830 Kw
Working temperature	+ 5 ÷ + 80 °C
Operating humidity	90 % max.
Stocking temperature	- 20 ÷ + 50 °C
Net weight	1,8 Kg



Pos	CODE	DESCRIPTION	Pos	CODE	DESCRIPTION
4365	45A005	Thermostat with fuse	223	184457	Screw
720	184453	Screw for casing fixing	222	514057	Nut for casing
704	253297	Safety protection	221	514056	Nut for handle
520	224217	Handwheel	220	534288	Spring of the handwheel
519	173236	Microswitch support	218	184455	Screw
518	22K038	Screw plug	216	172057	Handle support
515	43D009	Microswitch	209	514055	Nut
514	43K007	Microswitch box	208	304282	Electrical connection between thermostat and heating element.
513	184451	Microswitch screw	207	304281	Electrical connection between thermostat and binding clamp
510	264350	Plate	206	304280	Electrical connection between heating element and binding clamp
406	253255	Casing	33	224255	Passacavo spina
405/1	174020	Stud bolt for thermostat	31	224260	Cable clamp
402	174019	Stud bolt for casing	30	224215	Spring
401	253254	Plate with heater	29	Z23E01	Armoured teflon sole
248	184449	Isolating washers	18	25A002	Water spray
247	174018	Spacing collar	12	224210	Faillead
246	22K037	Microswitch plug	11	51X005	Clamp
245	22K036	Lid	10	Z23C00	Electric cable
244	514058	Nut for rear cover	9	07A002	Silicone tube
242	224245	Isolating rubber rings	8	07A001	Rubber hose
230	184448	Washer	7	43H009	Lime plug
229	222133	Rear cover	6	43H002	Wieland plug
228	184450	Screw	5	174009	Flexible iron support
227	174353	Staple	3	364297	Hose holder
225	183255	Handle rod	1	Z23E00	Teflon sole
224	222056	Handle			

Web site: <http://www.ghidini-gb.it> - E-mail: [ghidini.commerciale@tin.it](mailto:ghidini.commerciale@tin.it)